



## ON-PREMISE LAUNDRY T-20X2 EXPRESS STACK DRYER



# T-20X2 EXPRESS STACK DRYER

Dexter On-Premise 6-Cycle Stack Dryer

### On-premise laundry solutions you can depend on.

Dexter on-premise dryers are engineered to show up for work in even the harshest laundry environments. Featuring flexible controls and high quality materials, these dryers are designed to help you process laundry faster and more efficiently.

When your business depends on clean laundry, choosing the right equipment is an important decision. Our products will provide you the efficiency, flexibility, performance, and durability you need to be confident in your choice. With lifetime technical support and an industry leading 5-year limited warranty, you can be confident that we will stand behind every dryer you invest in.

**Contact your Dexter Authorized Distributor today for more details.**

### EFFICIENT:

Perforated tumblers and balanced radial airflow provide maximum efficiency.

Energy efficient motors reduce electrical usage and save hundreds of dollars over the life of the dryer.

### DURABLE:

With heavy-duty bearings in cast iron bearing housings and a fully welded and painted cabinet, Dexter dryers are built to last.

Using proven washer-style technology, welded steel spider assemblies support the tumbler from the rear and eliminate the need for front support rollers.

Formed in tumbler baffles are strong and stable while providing great tumbling action.

### RELIABLE:

Our industry leading 5-year warranty covers the trunnion, bearings, and bearing housing.

A 3-year parts warranty covers the rest.

We stand behind every machine you invest in with lifetime technical support.

### FLEXIBLE:

Dexter on-premise dryer controls offer adjustable settings and five customizable cycles that provide the power and flexibility needed to fit any laundry.

### INSTALLATION:

Stack dryers give you the power of two dryers in a single space.

With a single location for gas, electrical, and venting connections, Dexter stack dryers are easier to install and maintain.

### OPTIONS:

Available with stainless steel or galvanized tumblers and white or stainless steel panels.

Choose between gas models or electric models. Propane kits are also available.

Dexter on-premise stack dryers are available in 20lb, 30lb and 50lb capacities.

# T-20X2 EXPRESS STACK DRYER SPECIFICATIONS

**Capacity:**

Dry Weight Capacity - lb (kg)	2 x 20	(2 x 9.1)
Cylinder Volume (per tumbler) - cu ft (L)	7	(198.2)

**Speed:**

Tumbler Speed - RPM	51	---
Motor Size (per tumbler) - hp (kW)	1/3	(0.25)

**Airflow (per tumbler):**

60 Hz Model - cfm (M3/min)	370	(10.5)
50 Hz Model - cfm (M3/min)	300	(8.5)

**Dimensions:**

Cabinet Height - in (cm)	68 1/2	(174)
Cabinet Width - in (cm)	27	(68.6)
Cabinet Depth - in (cm)	44 5/8	(113.3)
Door Opening - in (cm)	18 1/8	(46)
Floor to Lower Door Bottom - in (cm)	8 1/2	(21.6)
Floor to Upper Door Bottom - in (cm)	42	(106.7)
Cylinder Diameter - in (cm)	25 1/2	(64.8)
Cylinder Depth - in (cm)	24	(61)
Lint Screen Area (per tumbler) - sq in (sq cm)	285	(1839)

**Weight:**

Net Weight - lb (kg)	615	(279)
----------------------	-----	-------

**Shipping Information:**

Shipping Weight - lb (kg)	650	(295)
Shipping Height - in (cm)	74	(188)
Shipping Width - in (cm)	31.5	(80)
Shipping Depth - in (cm)	49	(124.5)

**Gas Requirements (Gas Models Only):**

Gas Supply Connection - in (mm)	1/2	(12.7)
Natural Gas Supply (Water Column) - in (cm)	5-8	(12.7 - 20.3)
LP Gas Supply (Water Column) - in (cm)	11 1/2 - 13 1/2	(29.2 - 34.3)

**Gas Usage (Gas Models Only):**

60Hz Model (per tumbler) - BTU/hr (kW)	56,000	(16.4)
50Hz Model (per tumbler) - BTU/hr (kW)	47,000	(13.8)

**Electrical Requirements:**

**Gas Models (per stack dryer):**

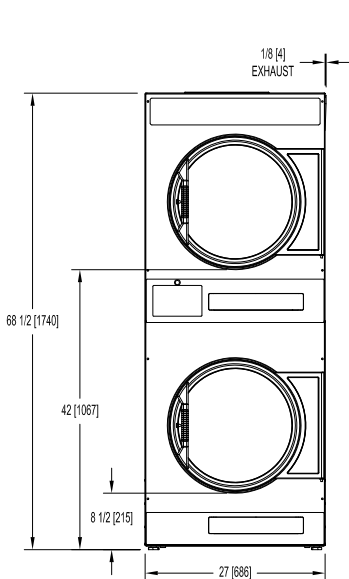
Model	Volts / Hz / Phase / Wiring	Circuit Breaker Amps / Running Amps / Wire Size / Rev
-15	208-240 / 60 / 1 / 2 wire + ground	15 / 3.8 / #12 / Non-Reversing
-15	120 / 60 / 1 / 2 wire + ground	15 / 7.8 / #12 / Non-Reversing
-39	230 / 50 / 1 / 2 wire + ground	15 / 6.6 / 3.5 mm <sup>2</sup> / Non-Reversing

**Electric Models (per tumbler):**

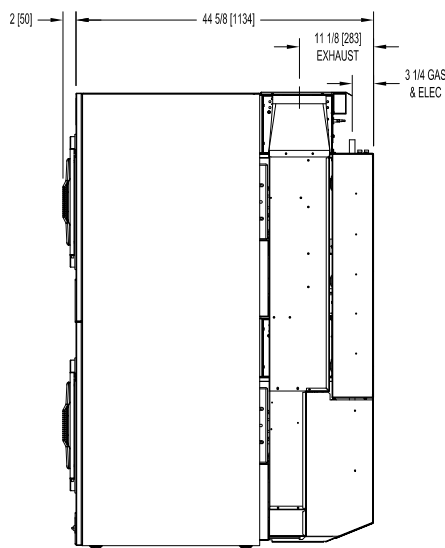
Model	kW / Volts / Hz / Phase / Wiring	Circuit Breaker Amps / Running Amps / Wire Size / Rev
-82	15 / 400 / 50 / 3 / 4 wire + ground	30 / 30 / 8.5 mm <sup>2</sup> / Non-Reversing
-84	15 / 208 / 60 / 3 / 4 wire + ground	60 / 55 / #4 / Non-Reversing
-85	15 / 240 / 60 / 3 / 4 wire + ground	50 / 50 / #4 / Non-Reversing
-86	16 / 208 / 60 / 1 / 3 wire + ground	100 / 100 / #1 / Non-Reversing
-87	16 / 240 / 60 / 1 / 3 wire + ground	90 / 85 / #2 / Non-Reversing

**Installation Recommendations:**

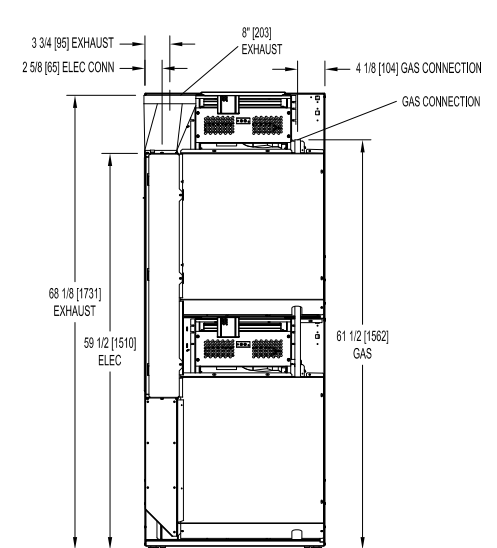
Minimum Clearance Between Machines - in (cm)	0	(0)
Minimum Clearance Behind Machines - in (cm)	18	(45.7)
Make-Up Air Required (per stack dryer) - sq ft (sq cm)	1	(929)
Exhaust Size - in (cm)	8	(20.3)
Max. Exhaust Back Pressure (Water Column) - in (mm)	0.3	(7.6)
Recommended Exhaust Length - ft (m) & 2 elbows	14	(4.3)



**FRONT**



**SIDE**



**BACK**

Due to continuous product improvements specifications are subject to change, please consult the installation manual for the most accurate information.  
 \*Agency approvals may vary depending on the machine configuration, consult Dexter Laundry or your Dexter Authorized Distributor for details.